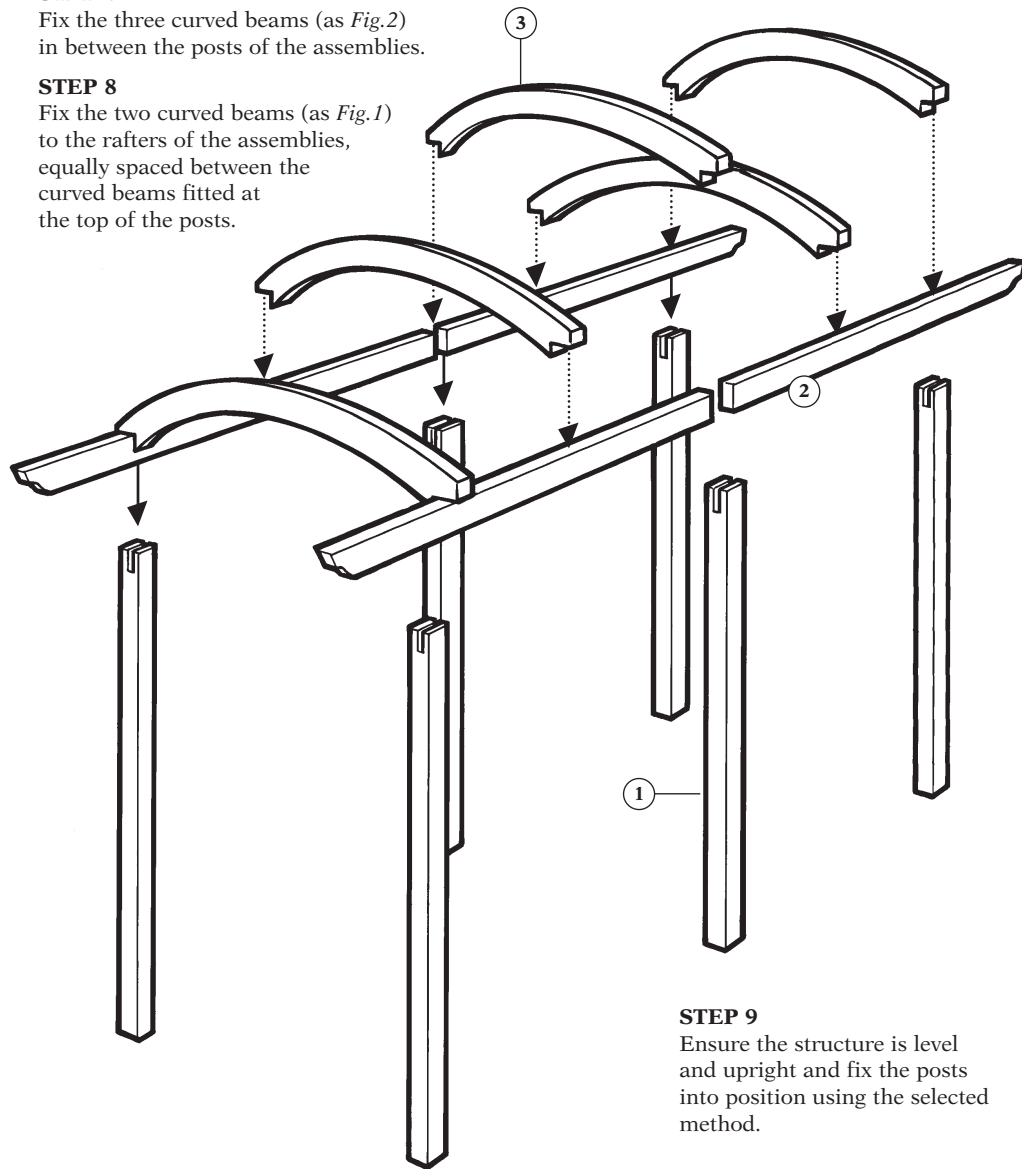


STEP 7

Fix the three curved beams (as Fig.2) in between the posts of the assemblies.

STEP 8

Fix the two curved beams (as Fig.1) to the rafters of the assemblies, equally spaced between the curved beams fitted at the top of the posts.



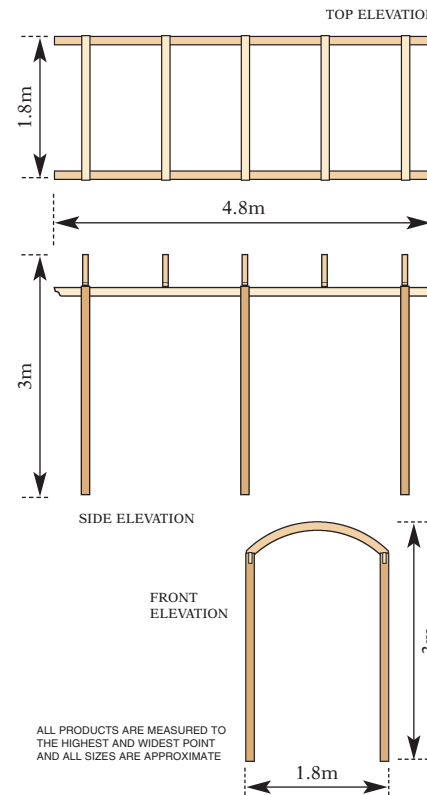
STEP 9

Ensure the structure is level and upright and fix the posts into position using the selected method.

COLONNADE PERGOLA

ASSEMBLY INSTRUCTIONS

PLAN



ALL PRODUCTS ARE MEASURED TO THE HIGHEST AND WIDEST POINT AND ALL SIZES ARE APPROXIMATE



COLONNADE PERGOLA (PKITCAG)

AFTERCARE

To ensure longevity of your structure it is recommended that it is treated with a wood preservative on a yearly basis.



Grange Code: PKITCAG

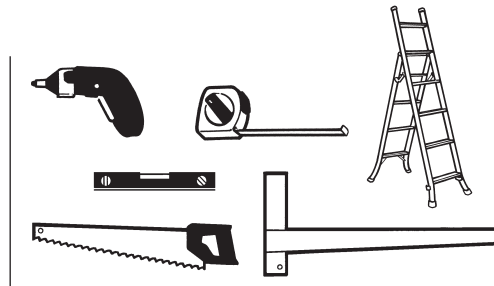


GRANGE FENCING LIMITED
 Halesfield 21, Telford TF7 4PA
 Tel: 01952 588088 Fax: 01952 581522
 Email: sales@grangefen.co.uk Web: www.grangefen.co.uk
 OUT OF HOURS MESSAGE SERVICE: 01952 588088

Thank you for choosing this garden structure from Grange Fencing Ltd. In order to gain the most benefit from it please read the following instructions carefully.

TOOLS REQUIRED (Not Supplied)

- POWER DRILL (+ crosshead screwdriver bit)
- SPIRIT LEVEL
- TAPE MEASURE
- STEPLADDER
- SAW
- SQUARE

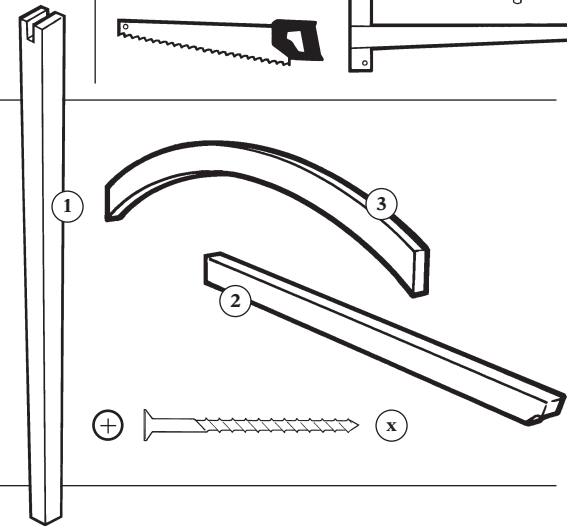


PARTS LIST

①	TIMBER POSTS	6
②	RAFTERS	4
③	CURVED BEAMS	5

HARDWARE PACK

x	SCREW (No.10 x 3")	28
---	--------------------	----

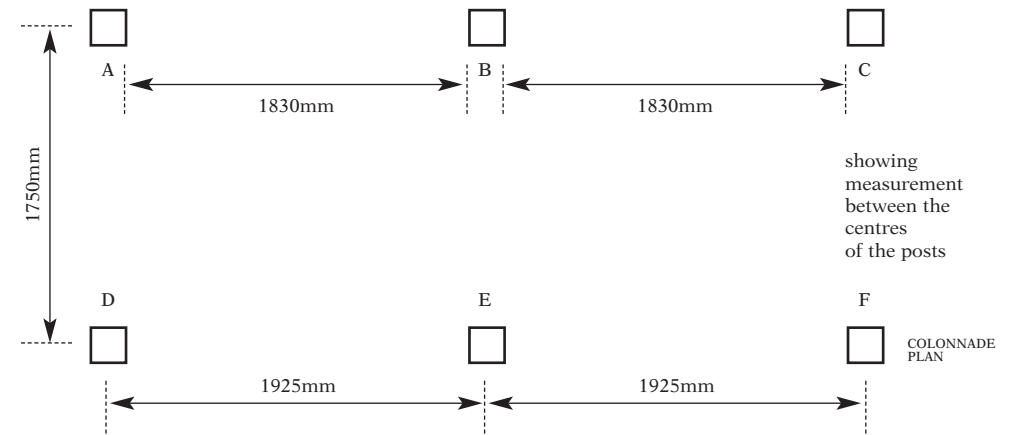


BEFORE YOU START

- Please ensure that you check all the component parts for quantity and quality before you commence building the product. Report any missing parts immediately. The manufacturer will not accept any responsibility for damaged items once any part of the product has been fitted or altered in any way.
- Timber is a natural material and will react to varying levels of moisture content - ie. will swell or shrink. All of the Timber components are pressure treated green. However, should extra protection be required, they should be treated using a wood preservative treatment, following the manufacturers instructions.

HEALTH AND SAFETY

- Do not lean or stand on the roof assembly at any time - the structure is not of a load bearing design.
- Do not overstretch when working from the step ladder.
- In order to reduce the risk of suffocation please keep all plastic bags and small parts away from children.
- When you are ready to start, make sure you have the right tools to hand, plenty of space and a clean, dry area for assembly. It is advisable for two people to carry out the work.



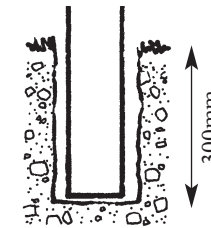
ASSEMBLY INSTRUCTIONS

STEP 1

Using the layout shown (above) mark out the area where the structure is to be sited.

STEP 2

Prepare the holes where the posts will be positioned to a depth of 300mm. Allow adequate room for the preferred method of fixing (ie. MetCrete - see details right).



We would recommend that you use **MetCrete**, fast set post fixing concrete to fix your posts. Easy to use, it sets in just 10 minutes.

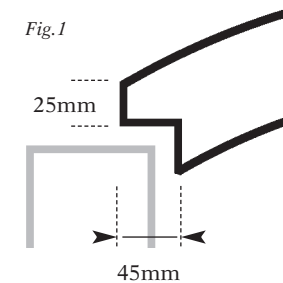
Note: should you need to site your pergola on a deck or patio then you will need to use Bolt Down Anchors.

Where the ground is too hard or too near tree roots then you will need to use a Pergola Spike.

STEP 3

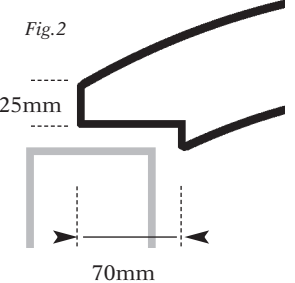
The Curved Beams (3) require birdmouth joints to be cut in them for fitting. Two will need to be cut (as Fig.1) and three cut (as Fig.2) at both ends of the Curved Beams.

Fig.1



Note: the two Curved Beams cut as Fig.1 should be used at either end of the Pergola.

Fig.2



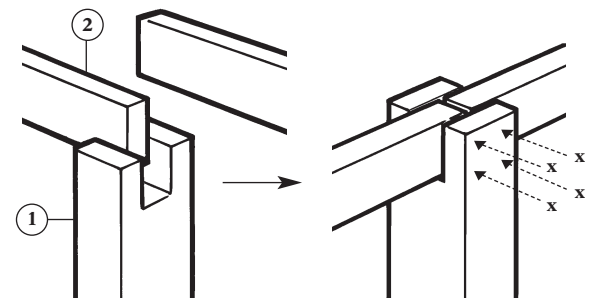
Note: the three Curved Beams cut as Fig.2 should be used between the end Beams.

STEP 4

Pre-drill clearance holes in the Curved Beams for fixing screws.

STEP 5

Site three of the Posts for one side and locate two Rafters (2) in the slots to join at the centre post. Fix the Rafters at the centre post using screws (x).



STEP 6

Repeat for the other side of the Colonnade.